



SPECIFICATIONS SHEET

PRODUCT TYPE : PIEZO BUZZER

PRODUCT SERIES : DB-E118

DESCRIPTION : PZ BUZZER DUAL 24VDC PLT ABS SP RoHS

COLOR : BLACK

ELECTRICAL SPECIFICATIONS

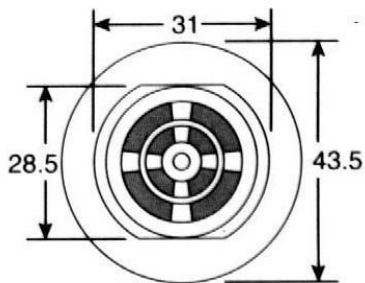
<u>MODEL NO.</u>		<i>11D3240LF - TA</i>
<i>OPERATING VOLTAGE RANGE</i>	(VDC)	4.0 ~ 28.0
<i>RATED VOLTAGE</i>	(VDC)	24.0
* <i>MAX. RATED CURRENT</i>	(mA)	30.0 / 20.0
* <i>MIN. SOUND OUTPUT</i>	(dBA / 30 cm)	85.0 / 80.0
* <i>FREQUENCY</i>	(Hz)	2900 ± 500
<i>TOPE NATURE</i>		DUAL
<i>OPERATING TEMPERATURE</i>	(°C)	-20 ~ +60
<i>TERMINAL</i>		PLATE
<i>HOUSING MATERIAL</i>		ABS
<i>WEIGHT</i>	(g)	35.0

* Value applying at rated voltage

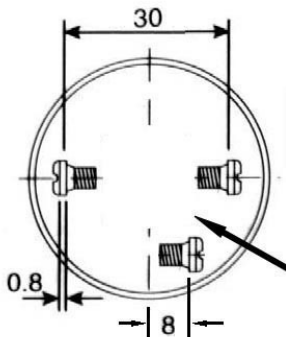
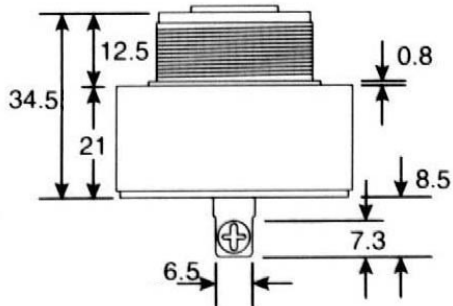
DIMENSIONS

UNIT : mm

TOP VIEW

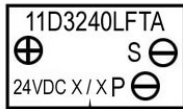
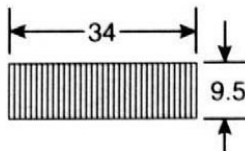


SIDE VIEW



BOTTOM VIEW

NUT



Date Code Marking
"6 / A"
Year | Month
6 = 2006 A = Jan.

Approved By :
Date : 24-Jan.-2006

Prepared By :
Date : 24-Jan.-2006

Modify :	Date :	By :