

[Close this Window](#)

[Print this Page](#)



AC 5E



SIZE :

170x150x55mm (6.69"x5.91"x2.17")

CONSTRUCTION :

- Die-cast aluminum housing
- Metal impeller or
Glass fiber reinforced plastic:
Impeller are UL 94V-0 rating
- Shaded pole motor
- Impedance protected
- Leader wire available

OPERATING TEMPERATURE :

Ball bearing - 30°C to +75°C

WEIGHT :

1000 grams

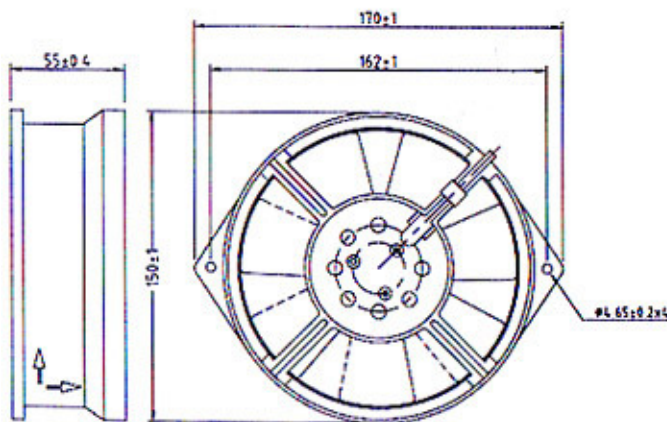


Specifications

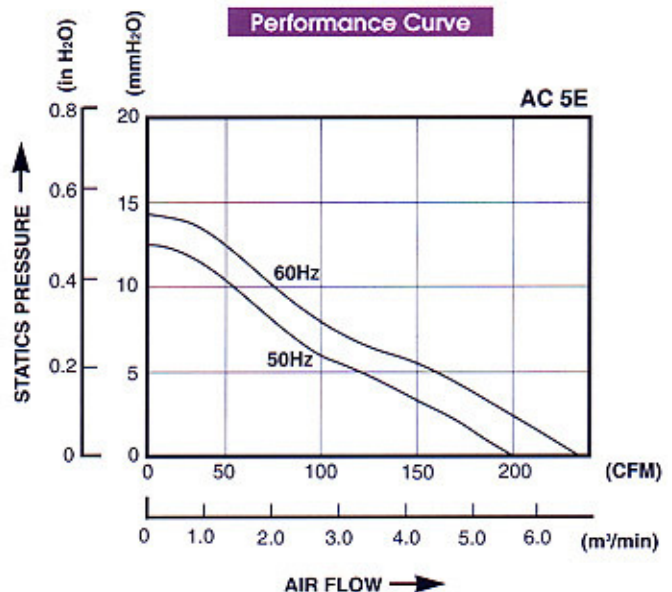
Specifications are subject to change without notice

MODEL NO.	BEARING	RATED VOLTAGE	FREQUENCY	MAX. RATED CURRENT	MAX. INPUT POWER	SPEED	MAX. AIR FLOW		MAX. AIR PRESSURE		NOISE
		VAC	Hz	mA	W		R.P.M.	m³/min	CFM	mmH₂O	
5E-200B	Ball	200	50/60	300/280	46/44	2700/3000	4.92/5.21	174/184	10.17/10.23	0.40/0.41	50/53
5E-115B	Ball	115	50/60	640/540	48/46	2750/3100	5.66/6.79	200/240	12.30/13.70	0.48/0.54	50/53
5E-230B	Ball	230	50/60	300/280	46/44	2750/3100	5.66/6.79	200/240	12.30/13.70	0.48/0.54	50/53
5E-DVB	Ball	230/115	50/60	310/600	45/47	2750/3100	5.66/6.79	200/240	12.30/13.70	0.48/0.54	50/53
5P-115B	Ball	115	50/60	640/540	48/42	2850/3400	5.38/6.51	190/230	12.30/13.70	0.48/0.54	50/53
5P-230B	Ball	230	50/60	280/240	46/40	2850/3400	5.38/6.51	190/230	12.30/13.70	0.48/0.54	50/53
5E-DVB-1	Ball	200/100	50/60	330/620	45/50	2750/3100	5.66/6.79	200/240	12.30/13.70	0.48/0.54	50/53

Dimensions (mm)



Performance Curve



[Close this Window](#)

[Print this Page](#)