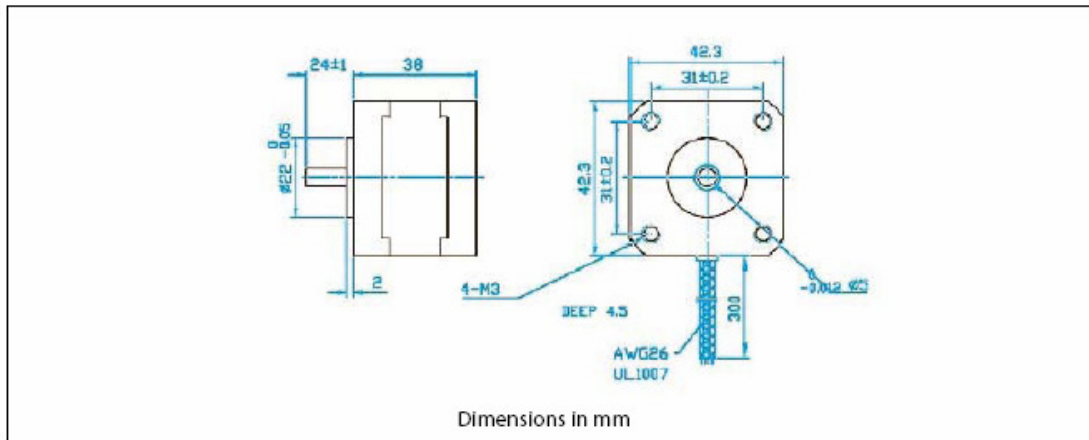


# 42mm 1.8' HIGH TORQUE STEPPER 400 STEP



| Specifications                               |          |
|--|----------|
| Model  | 535-0473 |
| Step Angle                                   | 1.8°     |
| Step Angle Accuracy (Full Step, No Load) (%) | ±5%      |
| Rated Voltage (V)                            | 2.8      |
| Current/ Phase (A)                           | 1.68     |
| Resistance/Phase (Ω)                         | 1.65     |
| Inductance/Phase (mH)                        | 3.2      |
| Detent Torque (mNm)                          | 22       |
| Holding Torque (Ncm)                         | 36       |
| Rotor Inertia (g-cm <sup>2</sup> )           | 54       |
| Weight (Kg)                                  | 0.28     |
| Number Of Leads (No.)                        | 4        |

| Characteristics       |                                      |
|-----------------------|--------------------------------------|
| Resistance Accuracy   | ±10%                                 |
| Inductance Accuracy   | ±20%                                 |
| Temperature Rise      | 80°C Max. (Rated Current 2 phase On) |
| Ambient Temp          | -20 °C to +50 °C                     |
| Insulation Resistance | 100mm Ωmin., 500Vdc                  |
| Dielectric Strength   | 500Vac for 1 min                     |
| Shaft Radial Play     | 0.06mm Max. (450G-Load)              |
| Shaft Axial Play      | 0.08mm Max. (450G-load)              |

### Speed V Torque Characteristics

