



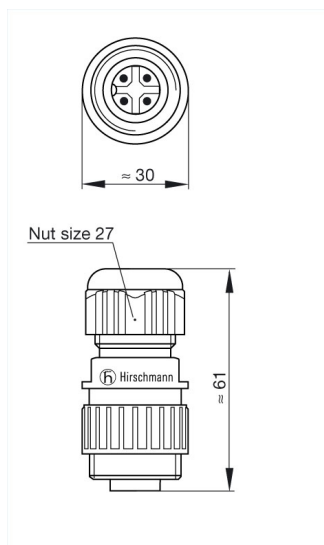
CA 3 LS

Circular connectors CA series: Cable plug and panel-mounted connector

Product description

Description	Straight cable plug, integrated strain relief
Type	CA 3 LS
Order No.	934 124-100
Number of contacts	3 + PE
Cable gland	M 22x2
Cable diameter	6 mm to 12 mm
Conductor size	max. 2.5 mm ²
Housing Color	black

Drawing



Technical data

Pin dimensions	2 mm
Rated voltage	DC 250 V / AC 400 V
Rated current	DC 10 A / AC 16 A
Contact resistance	≤ 3 mOhm
Type of termination	screw

Material

Contact surface material	Ag
Contact bearer material	PA 66-GF 25
Housing material	PA 66-GF 25
O-Ring	NBR

Environmental conditions

Protection class (IEC 60529)	IP 67
Pollution severity	3

Temperature range	-40 °C to +90 °C
Inflammability class	
Flammability, UL standard	94 V-0
Approvals	
UL	UL
VDE	VDE
Packaging unit	
Packaging unit	100 pieces
Scope of delivery and accessories	
Scope of delivery	1 cable plug, not assembled, assembly instructions
Accessories to order separately	can be plugged into CA 3 LD, CA 3 GD; cap CA 00 SD 1, order no. 831 530-400