

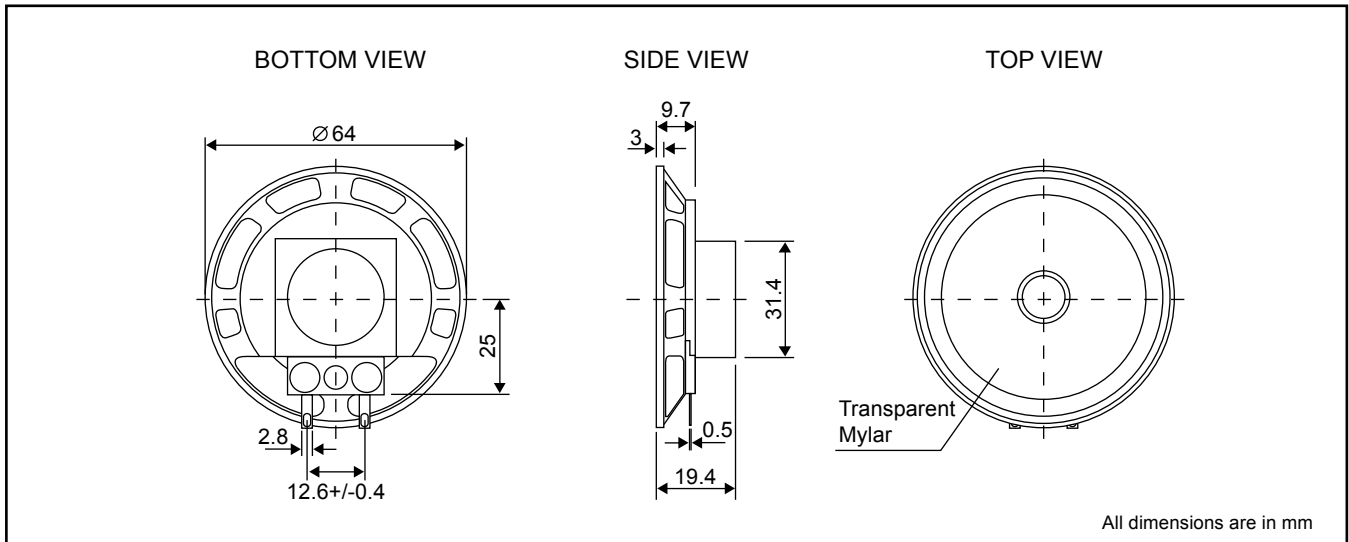


SPL (Hong Kong) Limited

Rm. 2507, 25/F., Prosperity Centre, 25 Chong Yip St., Kwun Tong, Kln., HK.
Tel: 852-23426867 / 57 Fax: 852-23426847 Email: sales@spl-hk.com.hk
www.buzzer.com.hk ; www.transducer.com.hk ; www.connector.com.hk

Mylar Speaker MSI6464 Series DIMENSIONS

Date : 10 Feb., 2008



Ref. no. : DR094-R



ELECTRICAL SPECIFICATIONS

Model No.	MSI6464-12R
Diameter	64 +/- 0.5 mm
Height	19.4 +/- 0.5 mm
Back Dia.	□31.4 +/- 0.5 mm
Output S.P.L.	88 +/- 3 dB [At 1k, 1.0W/1.0m]
Impedance	8 ohm +/- 20%
Resonant Freq. [Fo]	360 Hz +/- 20 Hz
Freq. Response	Fo ~ 3400 Hz
Rated Input Power	0.5 W
Max. Input Power	1.0 W
Buzzer & Rattles	Must Be Normal [Sine Wave 2 V]
Load Test	Must Be Normal [White Noise 0.5 W, 48 Hours]
Heat Test	Must Be Normal [40 +/- 3 °C, 20 ~ 25% R.H. 96 Hours]
Cold Test	Must Be Normal [-10 +/- 3 °C, 96 Hours]
Humidity Test	40 +/- 3 °C, 90 ~ 95% R.H. 96 Hours
Case Material	ABS
Magnet	Internal Magnet
Operating Temperature	-10 ~ +40°C
Storage Temperature	-10 ~ +40 °C
Weight	9 g